



1 COCHRANE AVE. PENNSBORO, WV 26415 PH.  
800-426-2249

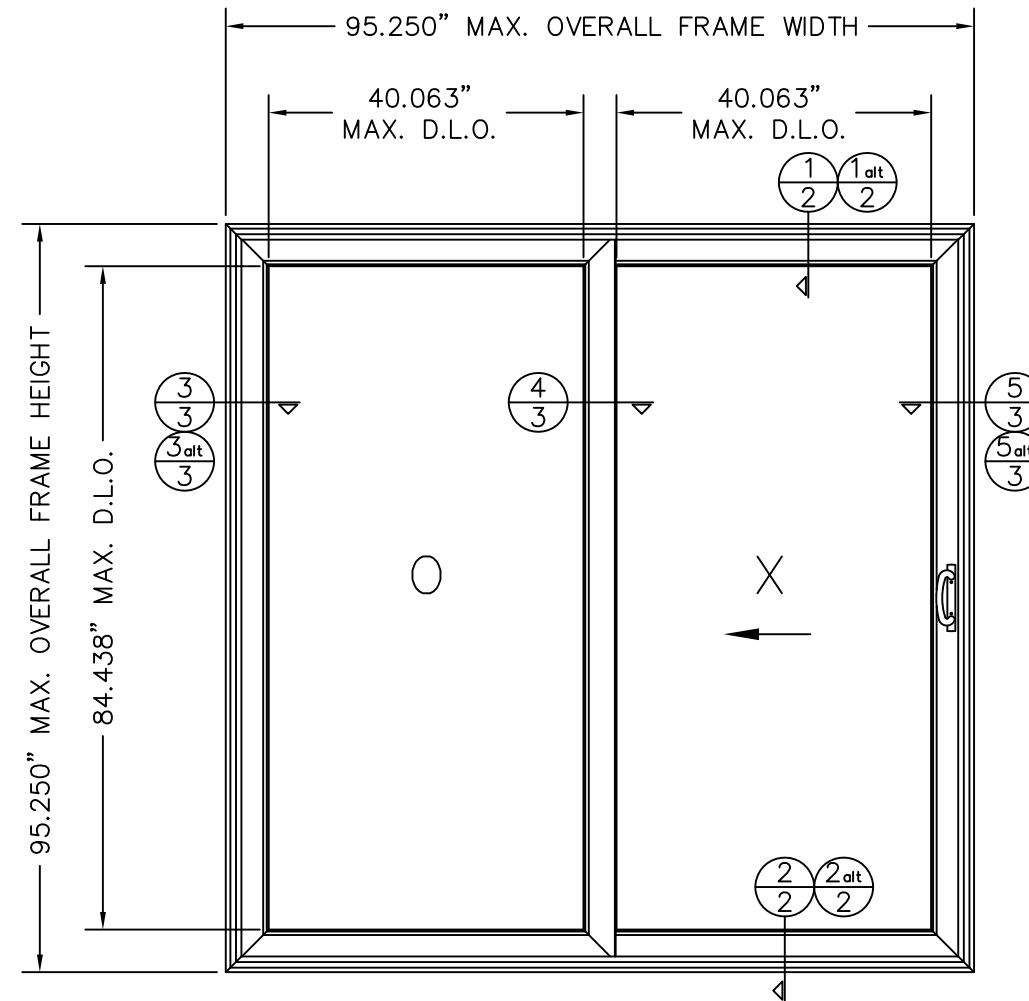
**STORMBREAKER PLUS 300VL  
IMPACT RESISTANT VINYL  
2-PANEL SLIDING PATIO DOOR**

ALL MODELS ARE VIEWED FROM THE EXTERIOR

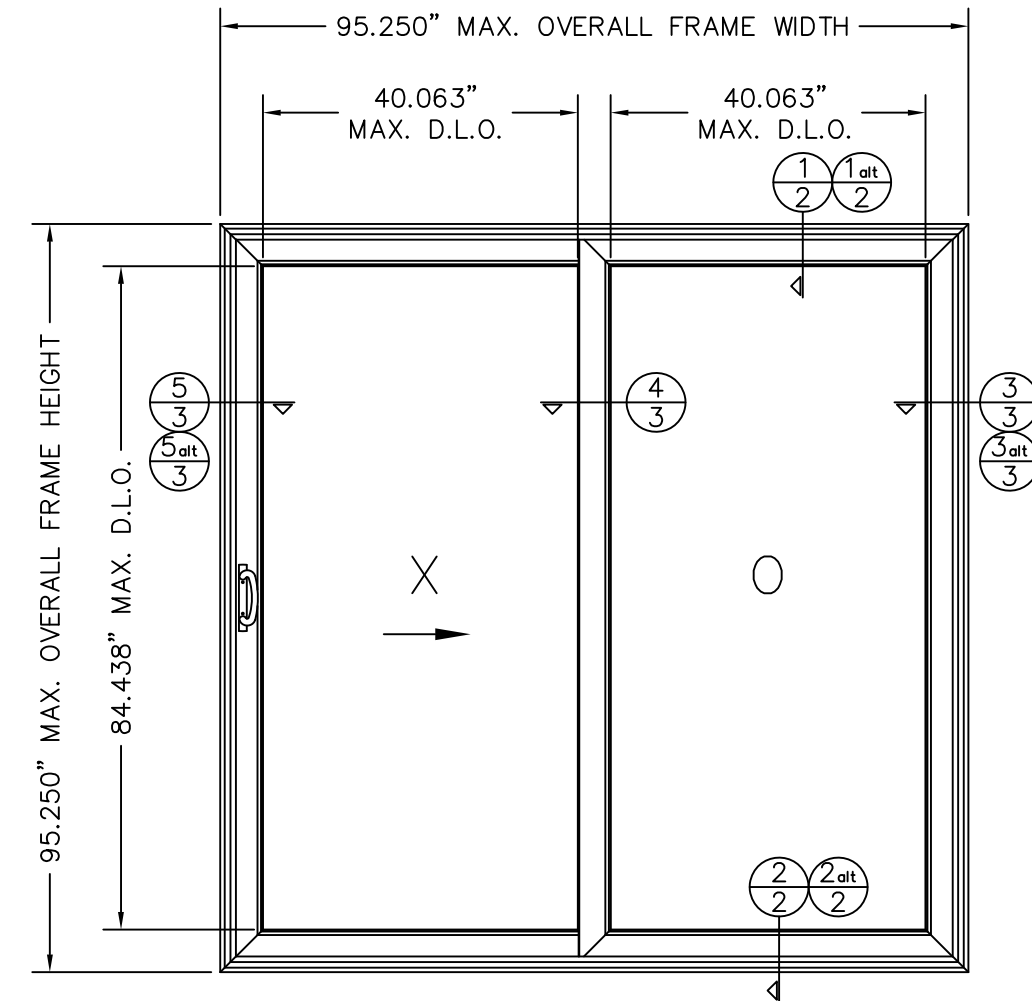
REV. #	REVISIONS:	REVISED BY:	DATE:
1	UPDATED TO INCLUDE 2014 FBC	L.A.T.	2/11/15
2	UPDATED FOR 2017 FBC	LMH	8/30/17
3	ADDED SETTING BLOCK REFERENCE TO GLAZING DETAIL, SHEET 2.	LMH	12/12/17
.	.	.	.
.	.	.	.

**GENERAL NOTES:**

- THIS PRODUCT IS DESIGNED TO COMPLY WITH THE 6TH ED. (2017) FLORIDA BUILDING CODE, INCLUDING THE HIGH VELOCITY HURRICANE ZONE, AND WAS TESTED USING METHODS AAMA/WDMA/CSA101/I.S.2/ A440-05/08 AND TAS 201, TAS 202, AND TAS 203. GLAZING AS INDICATED HEREIN COMPLIES WITH ASTM E 1300-04e01/09. THIS PRODUCT IS LARGE MISSILE IMPACT RATED AND DOES NOT REQUIRE THE USE OF IMPACT PROTECTIVE DEVICES OR SHUTTERS.
- ANCHOR TYPE, SIZE, SPACING, AND EMBEDMENT SHALL BE AS SPECIFIED IN THESE DRAWINGS, USING ONLY MIAMI-DADE COUNTY APPROVED CORROSION-RESISTANT FASTENERS OR ITW TAPCON FASTENERS. ALL FASTENERS PENETRATING INTO PRESSURE TREATED WOOD SHALL BE CAPABLE OF PREVENTING CORROSION DUE TO REACTION WITH PRESSURE TREATMENT CHEMICALS. HIGH QUALITY SILICONE CAULK SHALL BE USED BY INSTALLER AROUND ENTIRE WINDOW PERIMETER, INSIDE AND OUT.
- DISSIMILAR MATERIALS THAT COME INTO CONTACT SHALL BE COATED OR OTHERWISE PROTECTED PER FBC TO PREVENT GALVANIC REACTIONS. WOOD BUCKS, IF USED, SHALL BE PRESSURE TREATED, WITH EITHER A TREATMENT OR COATING COMPATIBLE WITH THE MATERIALS OF THIS DOOR.
- ANCHOR EMBEDMENT TO SUBSTRATE SHALL BE BEYOND WALL DRESSING OR STUCCO. FOR CONCRETE/CMU OPENINGS, EMBEDMENT SHALL BE BEYOND WOOD BUCKS, IF USED, AND INTO SUBSTRATE. INSTALLATIONS TO SOLID CONCRETE OR GROUT-FILLED CMU MAY INCLUDE BUT DO NOT REQUIRE 1X WOOD BUCKS BETWEEN PRODUCT AND SUBSTRATE. INSTALLATIONS TO HOLLOW CMU REQUIRE THE USE OF 1X BUCKS BETWEEN PRODUCT AND SUBSTRATE.
- WOOD OR MASONRY OPENINGS, BUCKS, AND BUCK FASTENERS, BY OTHERS, SHALL BE PROPERLY DESIGNED AND INSTALLED TO TRANSFER WIND LOADS TO THE STRUCTURE. SUBSTRATES SHALL MEET THE MINIMUM STRENGTH REQUIREMENTS AS SHOWN IN THESE DRAWINGS. CONCRETE OR MASONRY SUBSTRATES SHALL NOT BE CRACKED.
- SHIMS ARE REQUIRED AT EACH INSTALLATION FASTENER WHERE GAPS OF GREATER THAN 1/16" EXIST BETWEEN OPENING AND FRAME. MAX. SHIM STACK IS 1/4". SHIMS SHALL BE LOAD-BEARING AND CAPABLE OF TRANSFERRING LOADS TO THE SUBSTRATE.
- SEALING AND FLASHING STRATEGIES FOR OVERALL WATER PENETRATION RESISTANCE OF THE INSTALLED PRODUCT ARE THE RESPONSIBILITY OF OTHERS.
- A WIND LOAD DURATION FACTOR CD = 1.6 WAS USED FOR THE ANALYSIS OF WOOD SCREWS ONLY.
- A MINIMUM CENTER-TO-CENTER SPACING OF 1-1/2" SHALL BE MAINTAINED BETWEEN ALL ITW TAPCONS IN ANY DIRECTION.

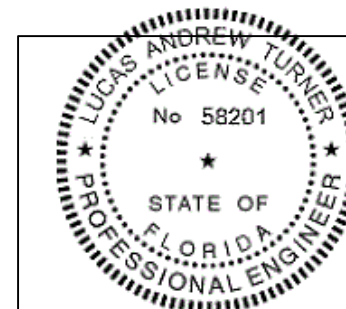


DESIGN PRESSURE RATING	IMPACT RATING
+50 PSF/-50 PSF	LARGE & SMALL MISSILE IMPACT



DESIGN PRESSURE RATING	IMPACT RATING
+50 PSF/-50 PSF	LARGE & SMALL MISSILE IMPACT

TABLE OF CONTENTS	
SHEET #	DESCRIPTION
1	GENERAL NOTES & TYPICAL ELEVATIONS
2	VERTICAL CROSS SECTIONS & GLAZING DETAILS
3	HORIZONTAL CROSS SECTIONS
4	ANCHORING LOCATIONS
5	BILL OF MATERIALS & COMPONENTS

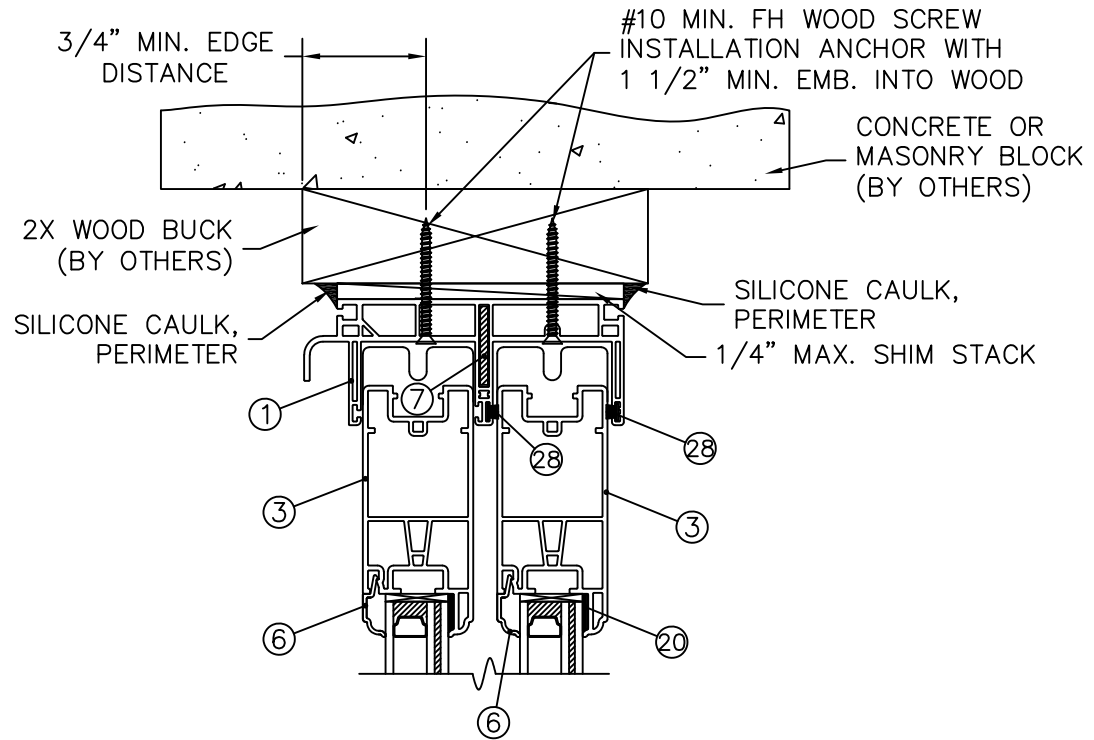


*LT*  
12/13/2017  
Lucas A. Turner, FL P.E. #58201  
Turner Engineering & Consulting, Inc.  
FBPE COA #29779 Ph. 941-380-1574  
1239 Jabara Ave., North Port, FL 34288

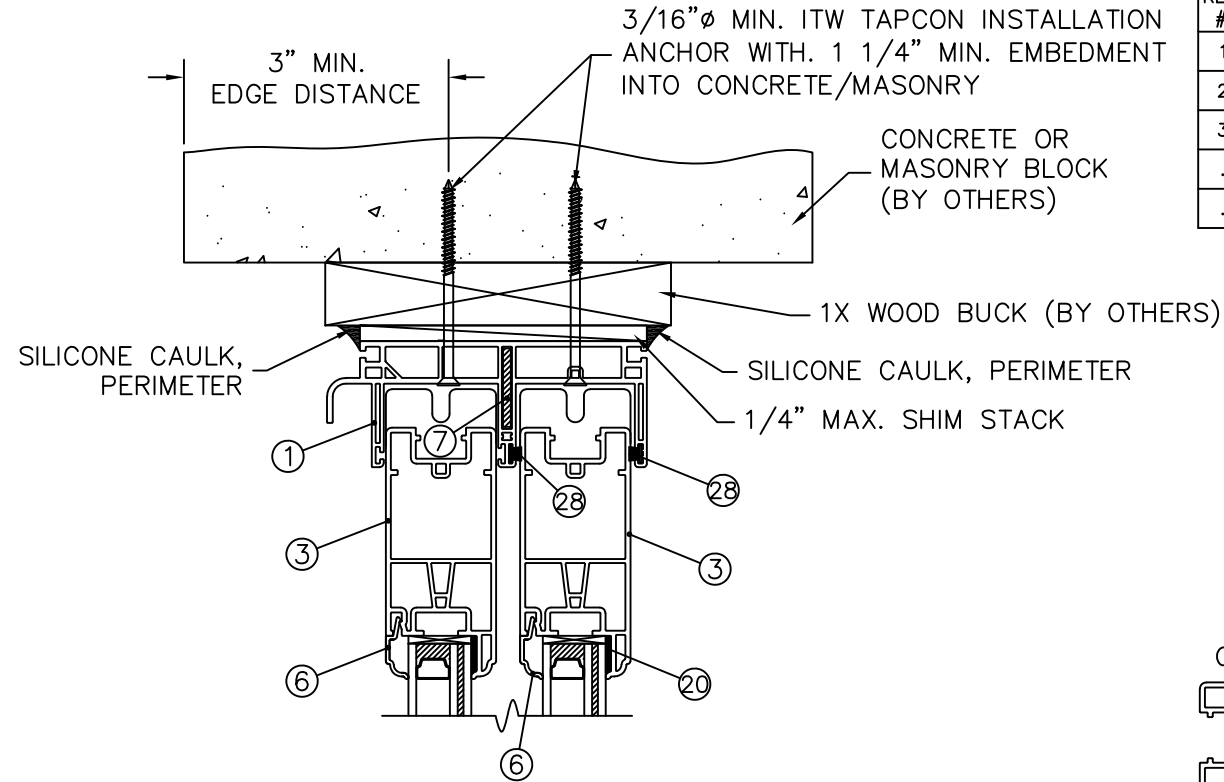


SIZE:	DRAWING NO.:	REV.:
B	DA0010	3
DRAWN BY: T.D.D.		DATE: 01/14/13
CHECKED BY:		DATE:
SCALE: FIT	SHEET: 1 of 5	APPR'VD BY: DATE:
SERIES: STORMBREAKER PLUS 300VL 2-PANEL SLIDING PATIO DOOR		
TITLE: GENERAL NOTES & TYPICAL ELEVATIONS		

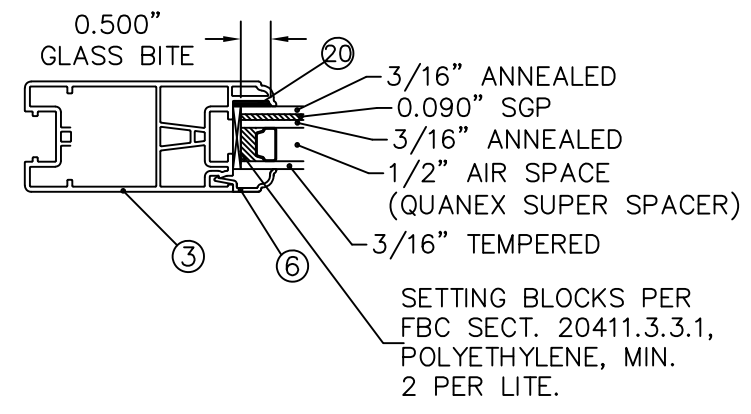
REV. #	REVISIONS:	REVISED BY:	DATE:
1	UPDATED TO INCLUDE 2014 FBC	L.A.T.	2/11/15
2	UPDATED FOR 2017 FBC	LMH	8/30/17
3	ADDED SETTING BLOCK REFERENCE TO GLAZING DETAIL, SHEET 2.	LMH	12/12/17
.	.	.	.
.	.	.	.



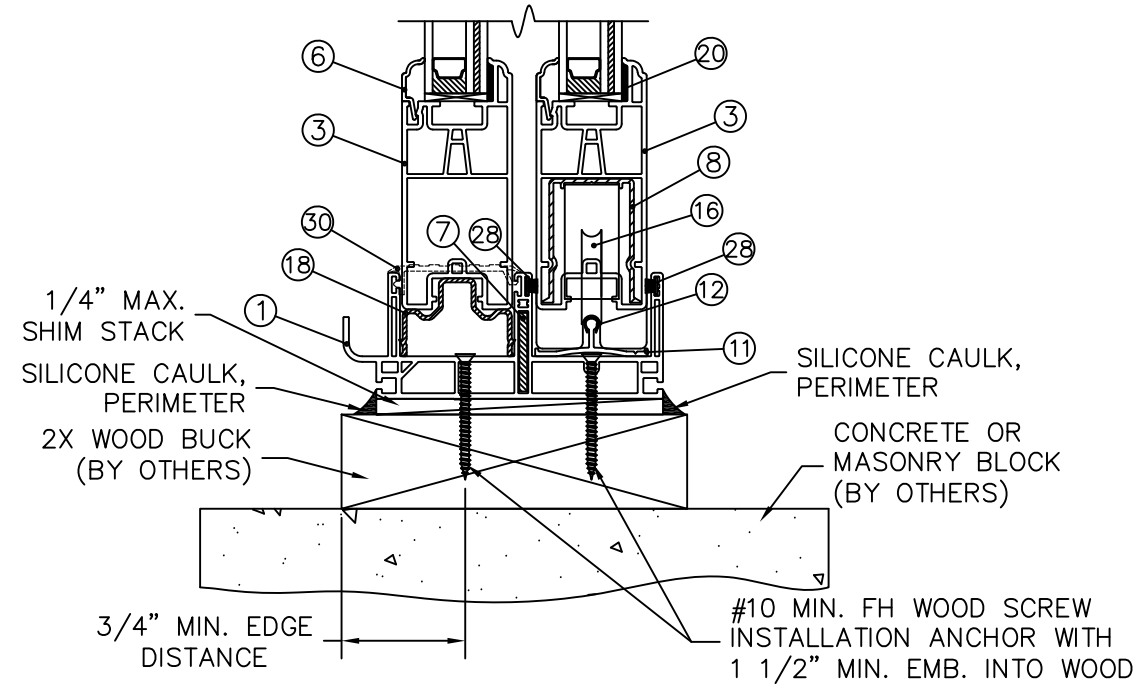
1 HEAD - VERTICAL CROSS SECTION  
2 2X WOOD BUCK INSTALLATION



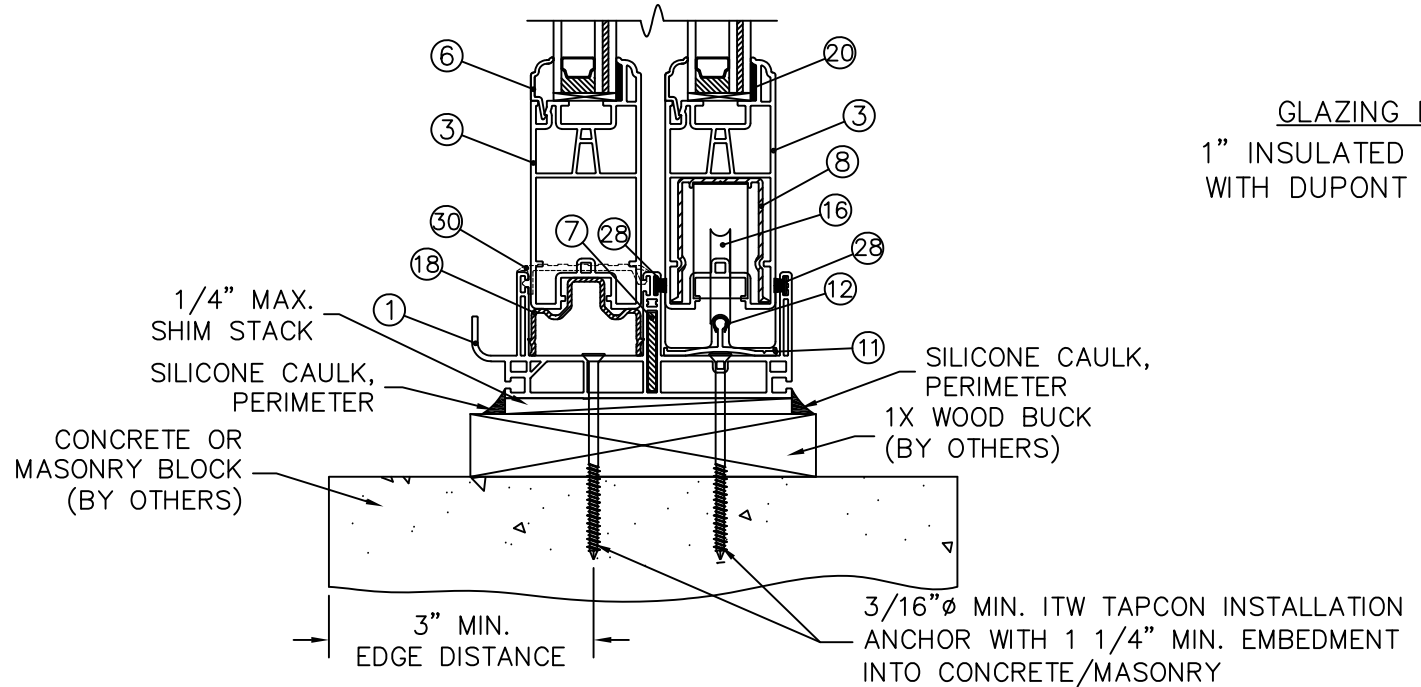
1alt HEAD - VERTICAL CROSS SECTION  
2 1X WOOD BUCK INSTALLATION



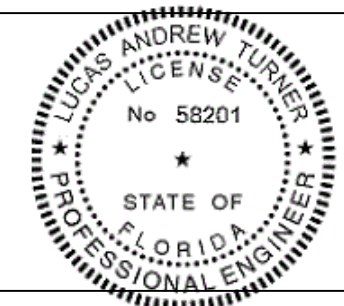
GLAZING DETAILS  
1" INSULATED GLASS UNIT WITH DUPONT INTERLAYER



2 SILL - VERTICAL CROSS SECTION  
2 2X WOOD BUCK INSTALLATION



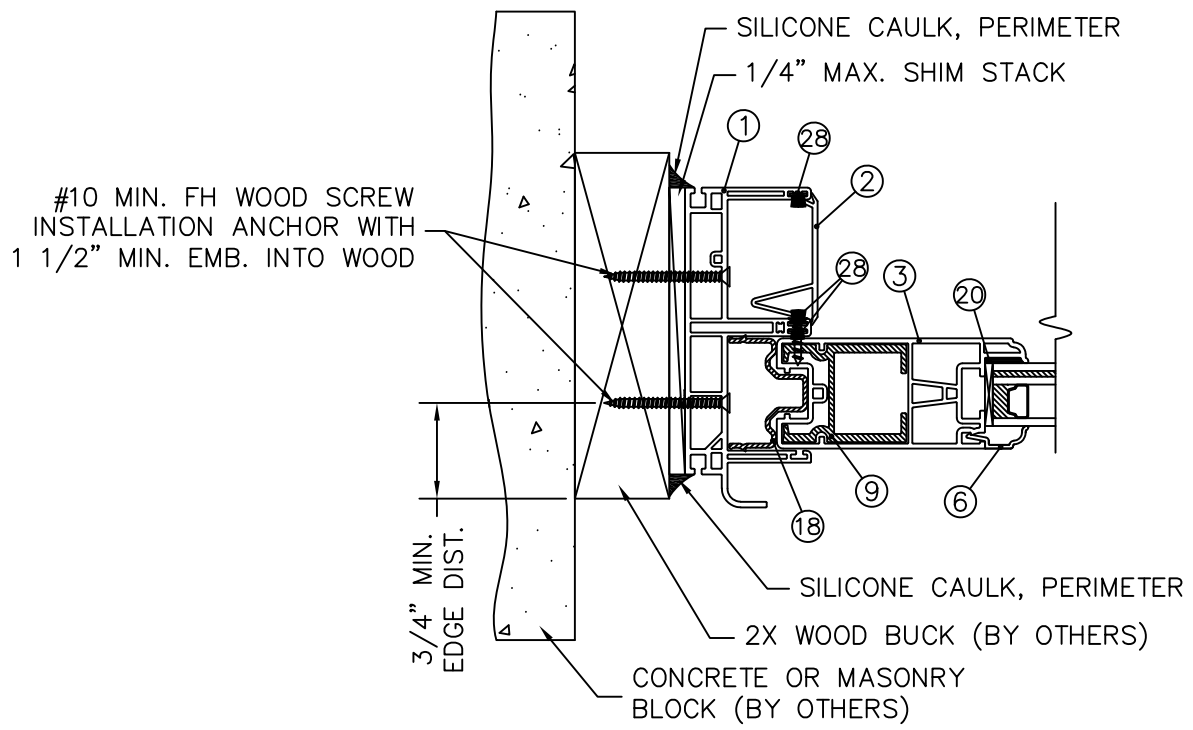
2alt SILL - VERTICAL CROSS SECTION  
2 1X WOOD BUCK INSTALLATION



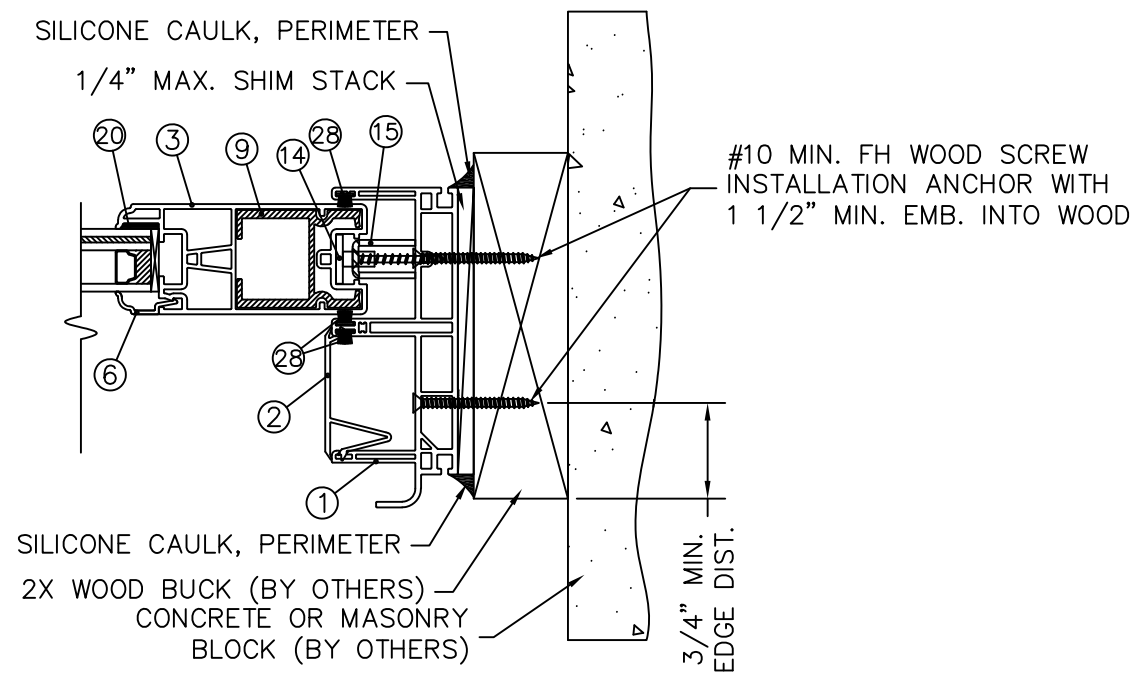
22  
12/13/2017  
Lucas A. Turner, FL P.E. #58201  
Turner Engineering & Consulting, Inc.  
FBPE COA #29779 Ph. 941-380-1574  
1239 Jabara Ave., North Port, FL 34288

 1 Cochrane Avenue Pennsboro, WV 26415	SIZE: B	DRAWING NO.: DA0010	REV.: 3
	DRAWN BY: T.D.D.	DATE: 01/14/13	CHECKED BY: DATE:
SCALE: FIT	SHEET: 2 of 5	APPR'VD BY: DATE:	
SERIES: STORMBREAKER PLUS 300VL 2-PANEL SLIDING PATIO DOOR TITLE: VERTICAL CROSS SECTIONS & GLAZING DETAILS			

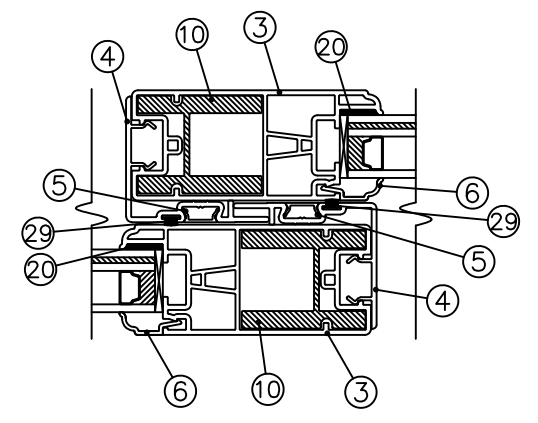
REV. #	REVISIONS:	REVISED BY:	DATE:
1	UPDATED TO INCLUDE 2014 FBC	L.A.T.	2/11/15
2	UPDATED FOR 2017 FBC	LMH	8/30/17
3	ADDED SETTING BLOCK REFERENCE TO GLAZING DETAIL, SHEET 2.	LMH	12/12/17
.	.	.	.
.	.	.	.



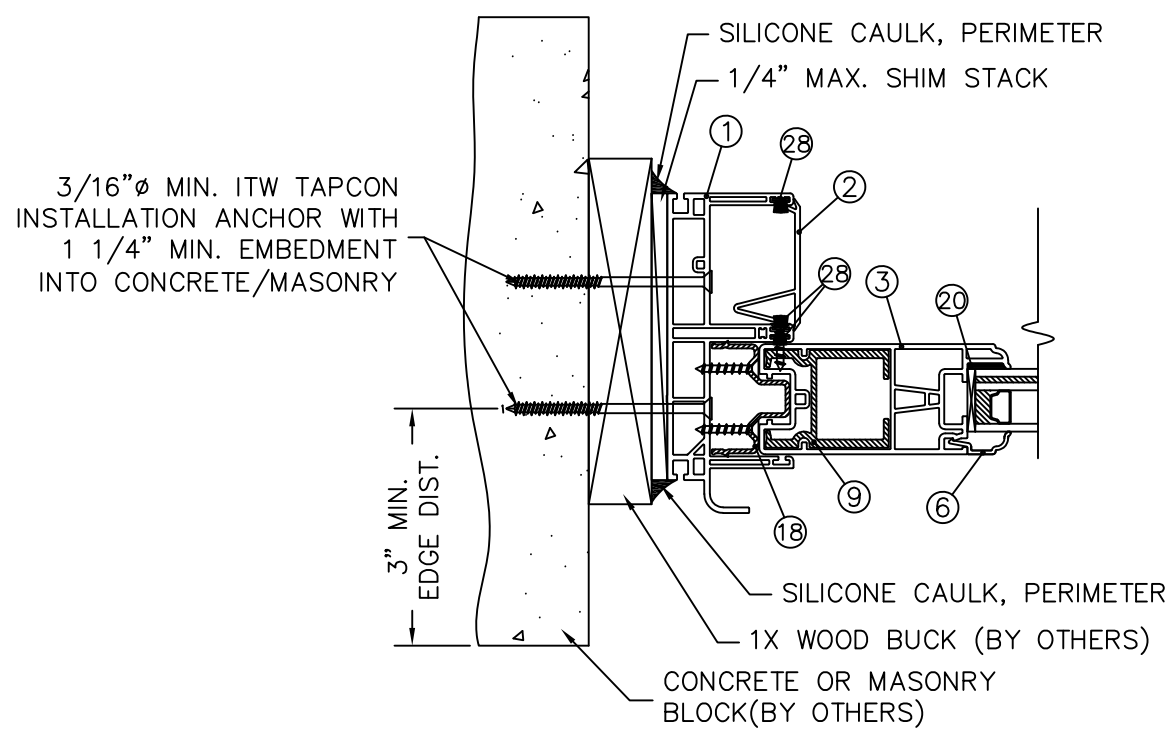
3  
3 FIXED PANEL (JAMB) – HORIZONTAL SECTION  
2X WOOD BUCK INSTALLATION



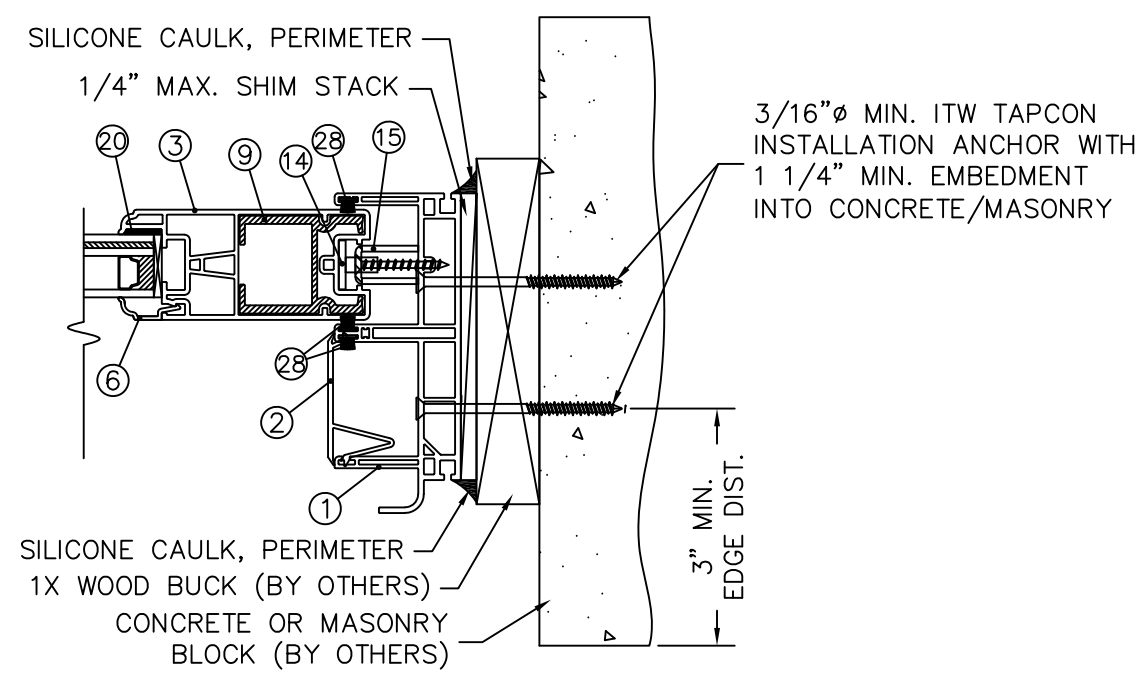
5  
3 OPER. PANEL (JAMB) – HORIZONTAL SECTION  
2X WOOD BUCK INSTALLATION



4  
3 MEETING RAIL – HORIZONTAL SECTION  
1X OR 2X WOOD BUCK INSTALLATION

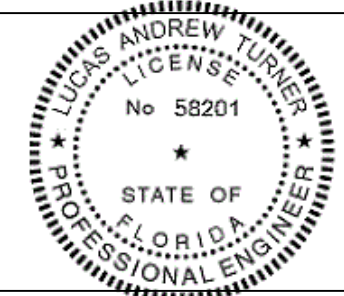


3alt  
3 FIXED PANEL (JAMB) – HORIZONTAL SECTION  
1X WOOD BUCK INSTALLATION



5alt  
3 OPER. PANEL (JAMB) – HORIZONTAL SECTION  
1X WOOD BUCK INSTALLATION

NOTE: HANDLE SET OMITTED FROM HORIZONTAL SECTIONS FOR CLARITY



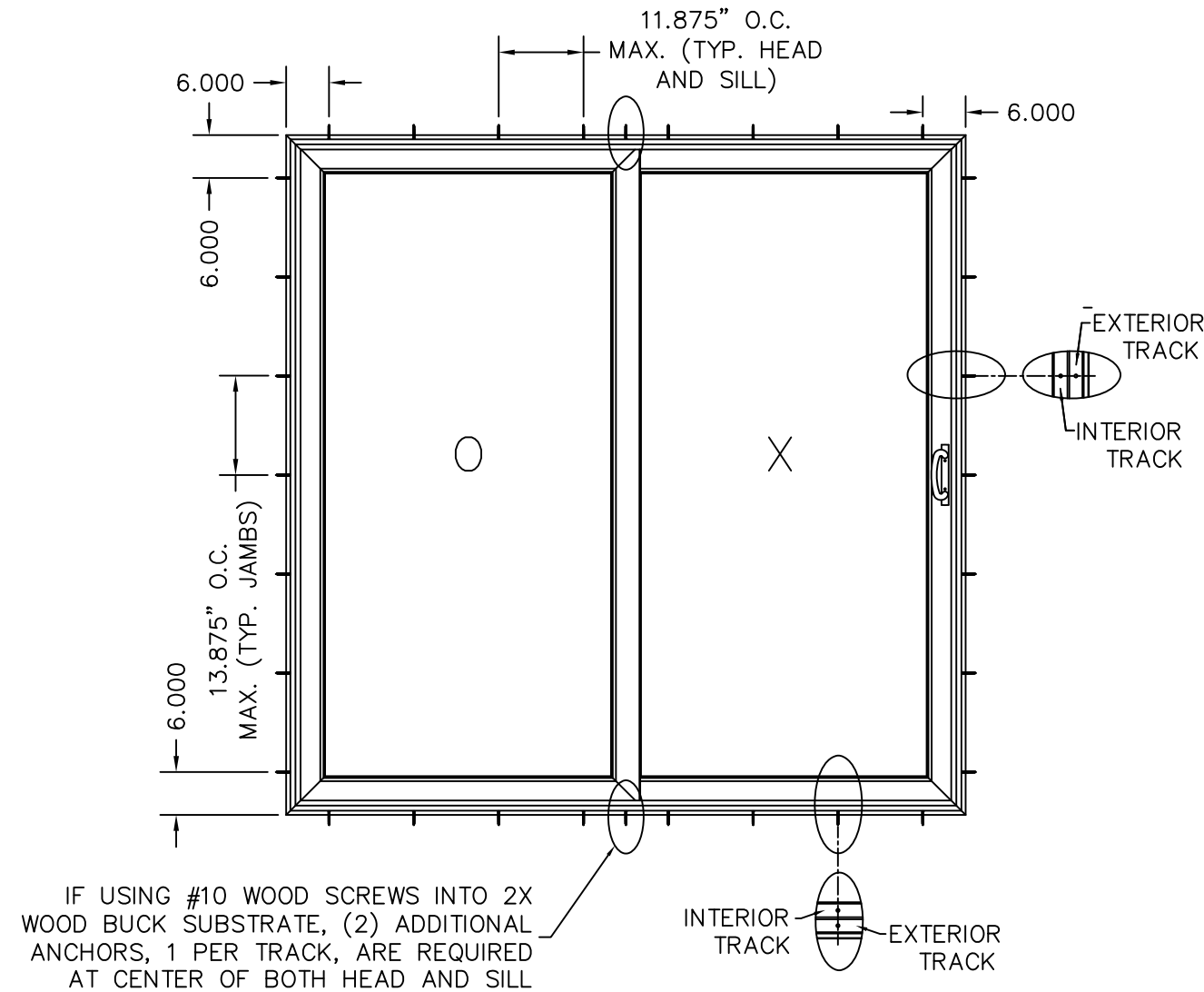
12  
12/13/2017  
Lucas A. Turner, FL P.E. #58201  
Turner Engineering & Consulting, Inc.  
FBPE COA #29779 Ph. 941-380-1574  
1239 Jabara Ave., North Port, FL 34288

**SIMONTON**  
WINDOWS  
1 Cochrane Avenue  
Pennsboro, WV 26415

SIZE: DRAWING NO.:	B DA0010	REV.:	3
DRAWN BY:	T.D.D.	DATE:	01/14/13
CHECKED BY:		DATE:	
SCALE:	FIT	SHEET:	3 of 5
APPR'VD BY:		DATE:	

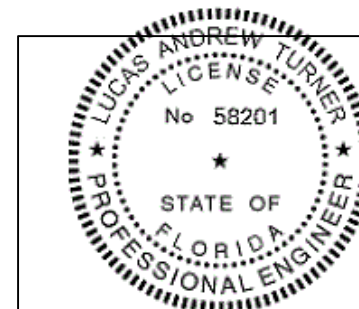
SERIES: STORMBREAKER PLUS 300VL 2-PANEL SLIDING PATIO DOOR  
TITLE: HORIZONTAL CROSS SECTIONS

REV. #	REVISIONS:	REVISED BY:	DATE:
1	UPDATED TO INCLUDE 2014 FBC	L.A.T.	2/11/15
2	UPDATED FOR 2017 FBC	LMH	8/30/17
3	ADDED SETTING BLOCK REFERENCE TO GLAZING DETAIL, SHEET 2.	LMH	12/12/17
.	.	.	.
.	.	.	.



ANCHOR LAYOUT  
RIGHT OPENING DOOR

- NOTES:
- RIGHT OPENING DOOR SHOWN. LEFT OPENING DOOR INSTALLATION SIMILAR.
  - WHEN ANCHORING THE DOOR TO A 2X WOOD BUCK, USE ITEM #21, #10 MIN. WOOD SCREWS OF SUFFICIENT LENGTH TO ACHIEVE 1 1/2" EMBEDMENT INTO THE WOOD.
  - WHEN ANCHORING THE DOOR THRU A 1X WOOD BUCK INTO 2000 PSI (MIN.) CONCRETE (HEAD SILL, OR JAMB) OR 95 PCF (MIN.) MASONRY BLOCK (JAMBS ONLY), USE ITEM #22, 3/16"Ø MIN. ITW TAPCONS OF SUFFICIENT LENGTH TO ACHIEVE 1 1/4" EMBEDMENT INTO THE CONCRETE OR MASONRY BLOCK.



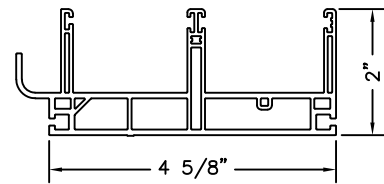
*LT*  
12/13/2017  
Lucas A. Turner, FL P.E. #58201  
Turner Engineering & Consulting, Inc.  
FBPE COA #29779 Ph. 941-380-1574  
1239 Jabara Ave., North Port, FL 34288

 1 Cochrane Avenue Pennsboro, WV 26415	SIZE: B	DRAWING NO.: DA0010	REV.: 3
	SCALE: FIT	SHEET: 4 of 5	APPR'VD BY: DATE:
SERIES: STORMBREAKER PLUS 300VL 2-PANEL SLIDING PATIO DOOR		TITLE: ANCHORING LOCATIONS	

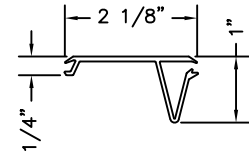


BILL OF MATERIALS		
ITEM #	DESCRIPTION	MANUFACTURER
1	VINYL DOOR FRAME	DECEUNINCK*
2	VINYL TRACK COVER & SASH STOP	DECEUNINCK*
3	VINYL SASH	DECEUNINCK*
4	VINYL SASH INTERLOCK	DECEUNINCK*
5	VINYL SCREW COVER	DECEUNINCK*
6	VINYL GLAZING BEAD	DECEUNINCK*
7	6063-T5 ALUMINUM FRAME REINFORCEMENT	EXCEL
8	6063-T6 ALUMINUM ROLLER RAIL REINFORCEMENT	EXCEL
9	6105-T6 ALUMINUM STILE REINFORCEMENT	EXCEL
10	6105-T5 ALUMINUM MEETING STILE REINFORCEMENT	EXCEL
11	6061-T6 ALUMINUM ROLLER TRACK	EXCEL
12	430 STAINLESS STEEL ROLLER TRACK CAP	QUANEX
13	LEGACY HANDLE SET	SASH CONTROLS
14	GEMINI MULTI-POINT LOCK	SASH CONTROLS
15	GEMINI MULTIPPOINT KEEPER	SASH CONTROLS
16	ROLLER ASSEMBLY	TRUTH
17	6063-T6 ALUMINUM FIXED SASH BRACKET	VINYLINE
18	6063-T6 ALUMINUM SNUBBER	EXCEL
19	HEAD & SILL GASKET	QSO
20	896 HIS GLAZING COMPOUND	PECORA
21	#10 WOOD SCREW (SEE SHEET 4 FOR LENGTHS)	-
22	3/16"Ø ITW TAPCON (SEE SHEET 4 FOR LENGTHS)	-
23	#8 X 7/8" PH FLAT TEKS SCREW (INTERLOCK)	ATLAS
24	#8 X 1 1/2" PH TRUSS SCREW (KEEPER)	ATLAS
25	#6 X 1/2" PH FLAT SCREW (ROLLER TRACK)	ATLAS
26	#10 X 1 1/2" PH FLAT SCREW (BRACKET)	ATLAS
27	#8 X 2 1/2" PH PAN TYPE A SCREW (FRAME ASSEMBLY)	ATLAS
28	0.250" X 0.270" FINSEAL WEATHER STRIPPING	AMESBURY
29	0.270" X 0.270" FINSEAL WEATHER STRIPPING	AMESBURY
30	VINYL THRESHOLD	DECEUNINCK*

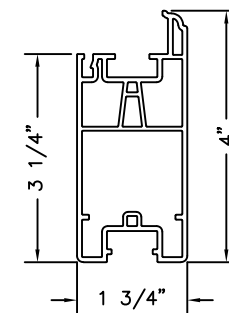
\*NOA #09-0429.04



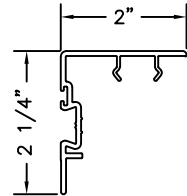
① 1199 DOOR FRAME  
0.060" INTERIOR WALL  
0.090" EXTERIOR WALL



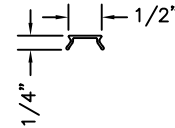
② 1104 TRACK COVER  
0.080" WALL THICKNESS



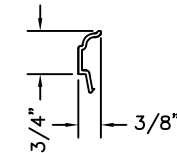
③ 1102 DOOR SASH  
0.065" INTERIOR WALL  
0.080" EXTERIOR WALL



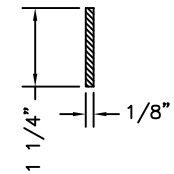
④ 1117 INTERLOCK  
0.080" WALL THICKNESS



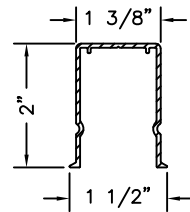
⑤ 1118 SCREW COVER  
0.040" WALL THICKNESS



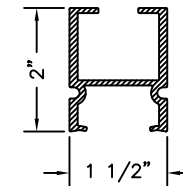
⑥ 1111 GLAZING BEAD  
0.060" WALL THICKNESS



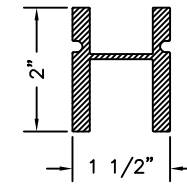
⑦ 12100 FRAME REINFORCEMENT  
6063-T5 ALUMINUM



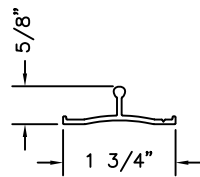
⑧ 21110 SASH REINFORCEMENT  
6063-T6 ALUMINUM  
0.065" WALL THICKNESS



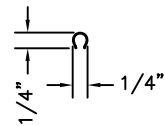
⑨ 23441 SASH REINFORCEMENT  
6105-T6 ALUMINUM  
0.130" WALL THICKNESS



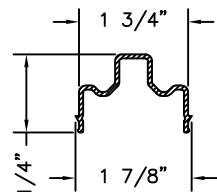
⑩ 22467 SASH REINFORCEMENT  
6105-T6 ALUMINUM  
0.277" WALL THICKNESS



⑪ 011H068 ROLLER TRACK  
6061-T6 ALUMINUM



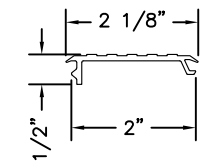
⑫ ROLLER TRACK CAP  
430 STAINLESS STEEL



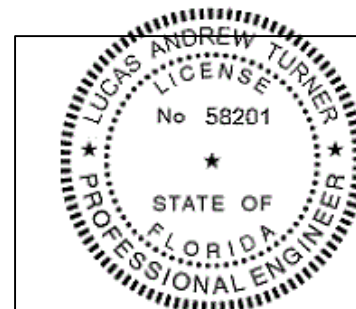
⑬ 23111 SNUBBER  
6063-T6 ALUMINUM  
0.065" WALL THICKNESS

⑳ 0.250" X 0.270"  
FINSEAL WEATHER STRIPPING

㉑ 0.270" X 0.270"  
FINSEAL WEATHER STRIPPING



㉒ DOOR THRESHOLD  
0.113" WALL THICKNESS



ZZ  
12/13/2017  
Lucas A. Turner, FL P.E. #58201  
Turner Engineering & Consulting, Inc.  
FBPE COA #29779 Ph. 941-380-1574  
1239 Jabara Ave., North Port, FL 34288

**SIMONTON**  
WINDOWS  
1 Cochrane Avenue  
Pennsboro, WV 26415

SCALE: FIT SHEET: 5 of 5 APPR'VD BY: DATE:

SERIES: STORMBREAKER PLUS 300VL 2-PANEL SLIDING PATIO DOOR  
TITLE: BILL OF MATERIALS & COMPONENTS

REV. #	REVISIONS:	REVISED BY:	DATE:
1	UPDATED TO INCLUDE 2014 FBC	L.A.T.	2/11/15
2	UPDATED FOR 2017 FBC	LMH	8/30/17
3	ADDED SETTING BLOCK REFERENCE TO GLAZING DETAIL, SHEET 2.	LMH	12/12/17
.	.	.	.
.	.	.	.

SIZE: DRAWING NO.: REV.:  
B DA0010 3

DRAWN BY: DATE:  
T.D.D. 01/14/13  
CHECKED BY: DATE: